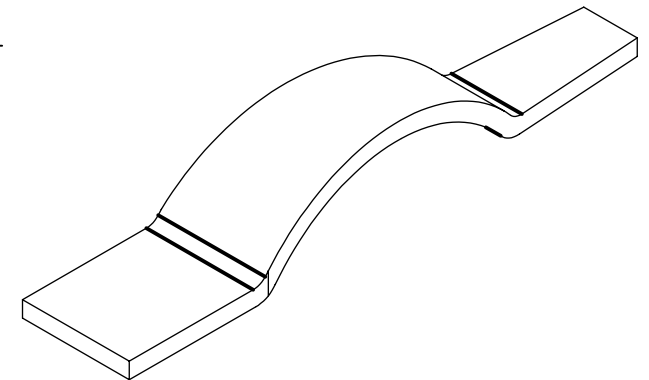
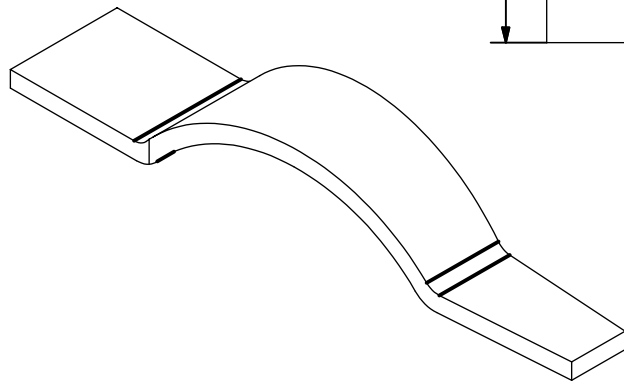
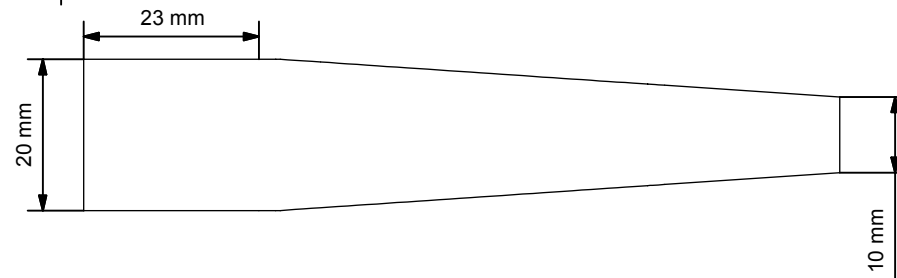
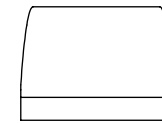
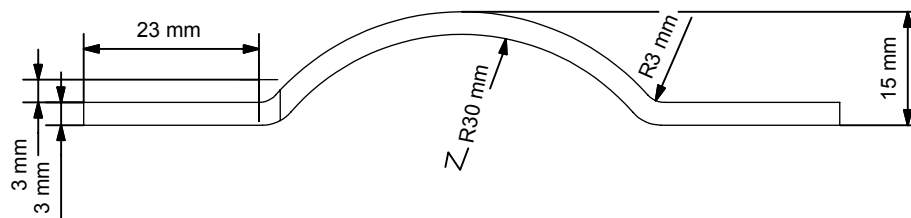
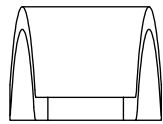
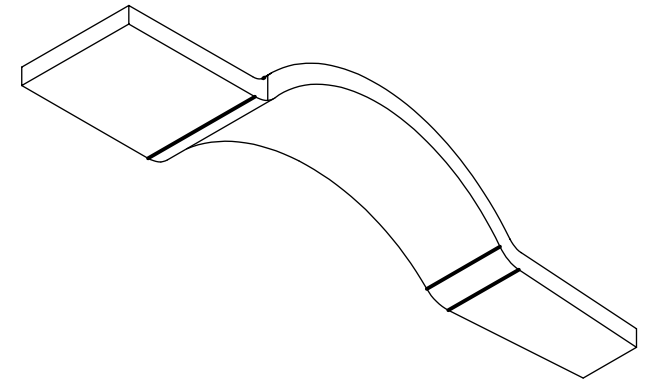
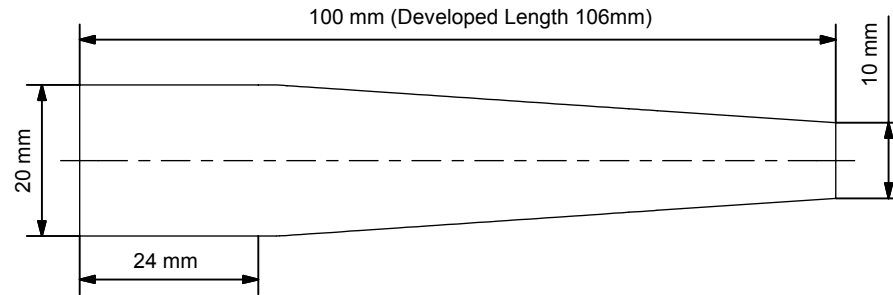
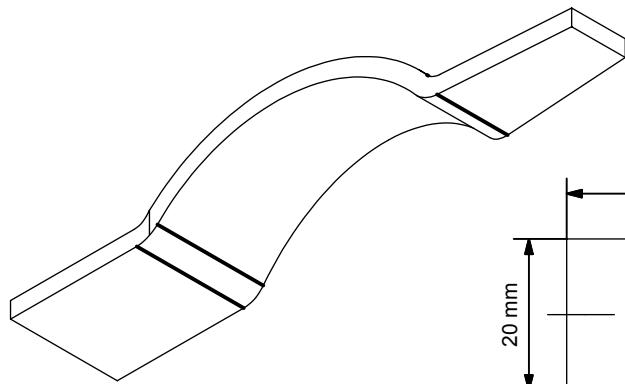


Toylander 2
 Door Handle
 Dimensions

(R/H Side Shown)



Parts List

ITEM	QTY	PART NUMBER	DESCRIPTION
1	1	Toylander 2 Door Handle	From 20 x 3mm Flat Mild Steel Bar